

en/LiPo-Holder

12

LotharF
MikroKopter.de

Inhaltsverzeichnis

<u>1 LiPo holder</u>	1/8
<u>2 Assembly</u>	2/8
<u>3 Mounting on the Centerplate</u>	6/8
<u>4 Dimensions</u>	7/8

1 LiPo holder

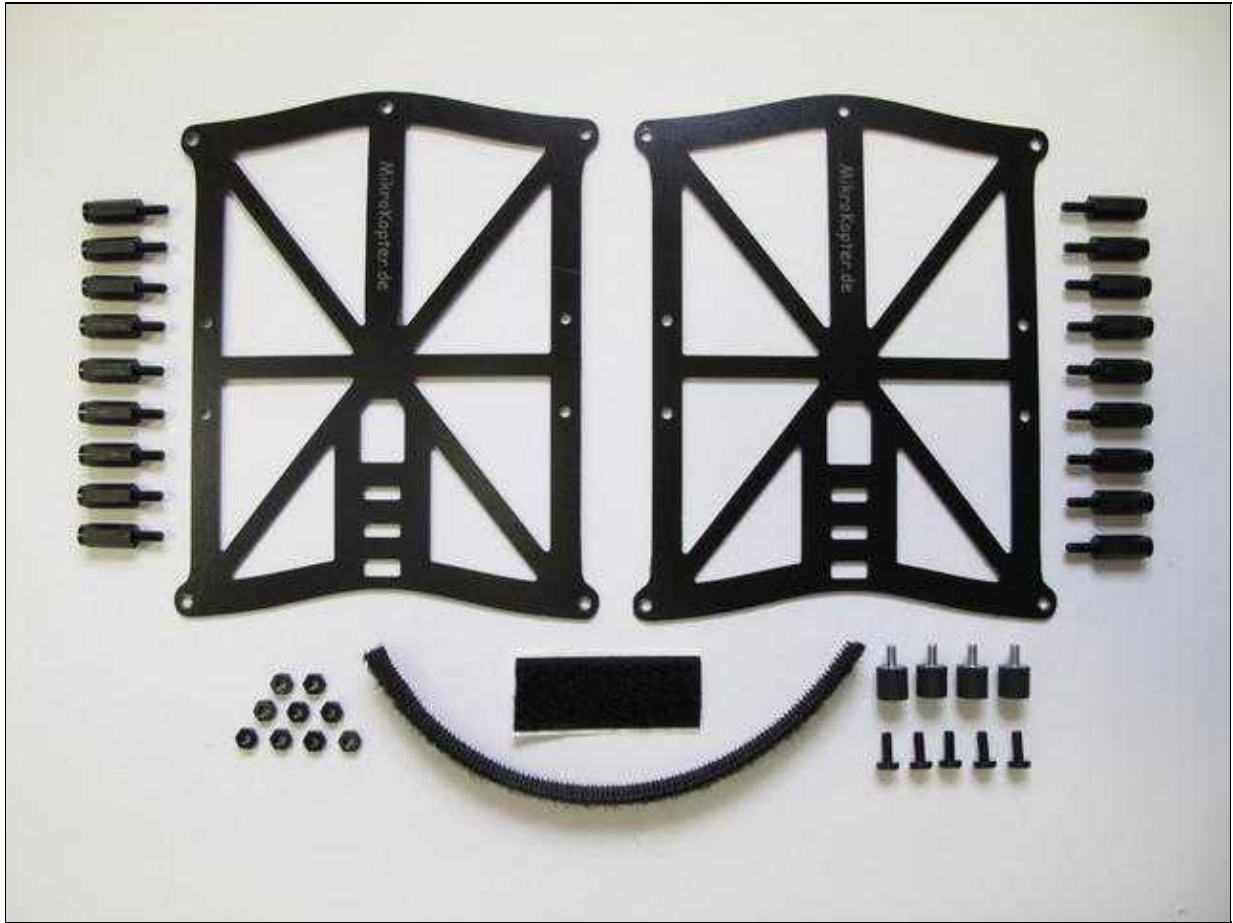
[Shop-Link](#)

The Lipoholder can be mounted directly under the centerplate. For this remove the screws of the cap holder. It allows a quick change of the Lipo, a secure fit and protects the Lipo in addition to a crash. Under the Lipoholder you can mount the Camera holder.

The kit has enough screws, nuts and bolts it to adjust the Lipoholder at different battery levels.

2 Assembly

The material (there is sufficient material included in the set):



First, upper plate:

To enlarge -> Click on image or text



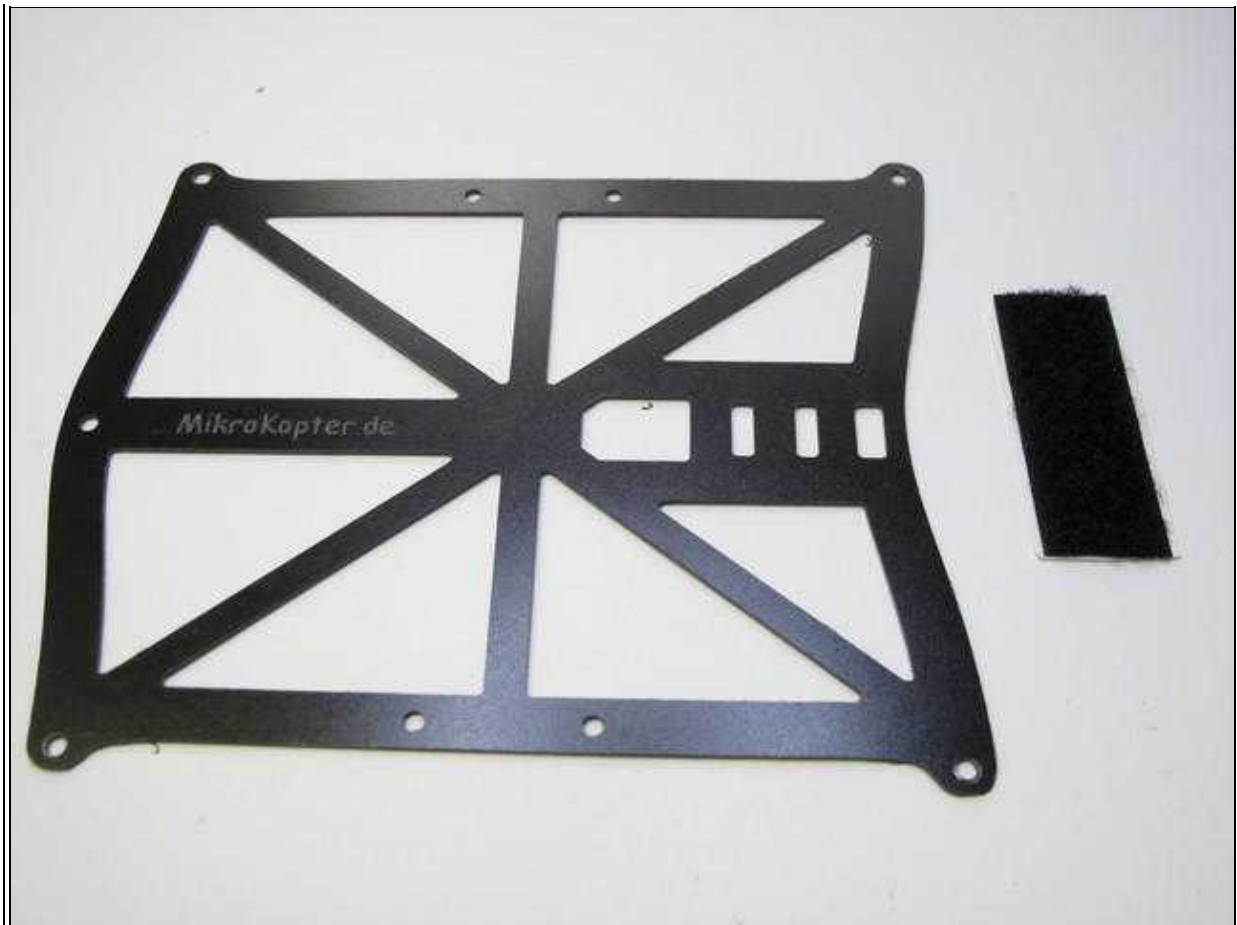
[Step 1](#)



[Step 2](#)

Then the lower plate:

To enlarge -> Click on image or text

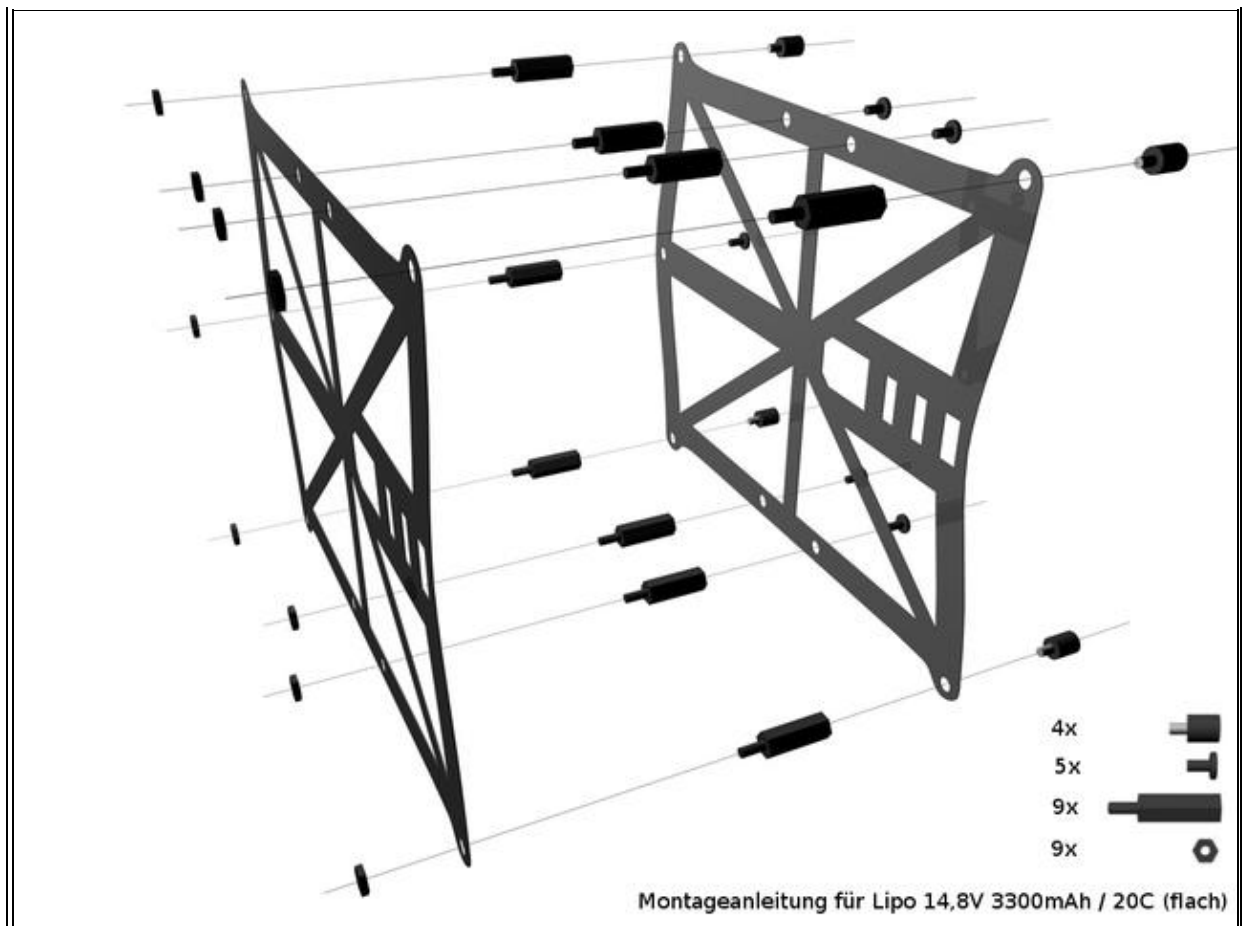


[Step 1](#)

[Step 2](#)

Now you can connect both plates with the spacers:

To enlarge -> Click on image or text



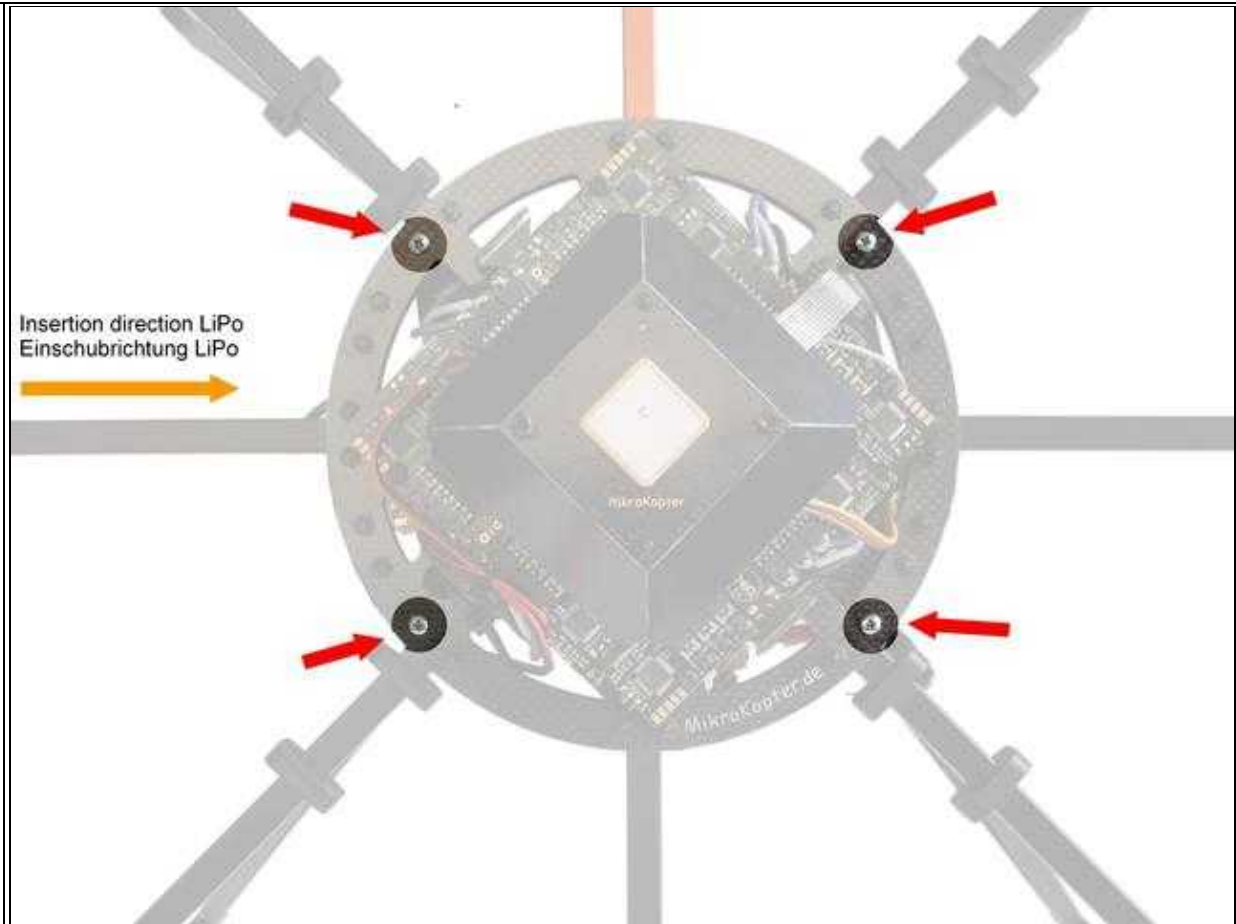
[Example of a Lipo 14.8V/3300mAh/20C \(flach\)](#)

[Example of](#)

3 Mounting on the Centerplate

The [LiPo](#) holder is fixed with four screws on the center plate. The existing plastic screws or metal bolts (M3x16) can be used for this.

To enlarge -> Click on image or text

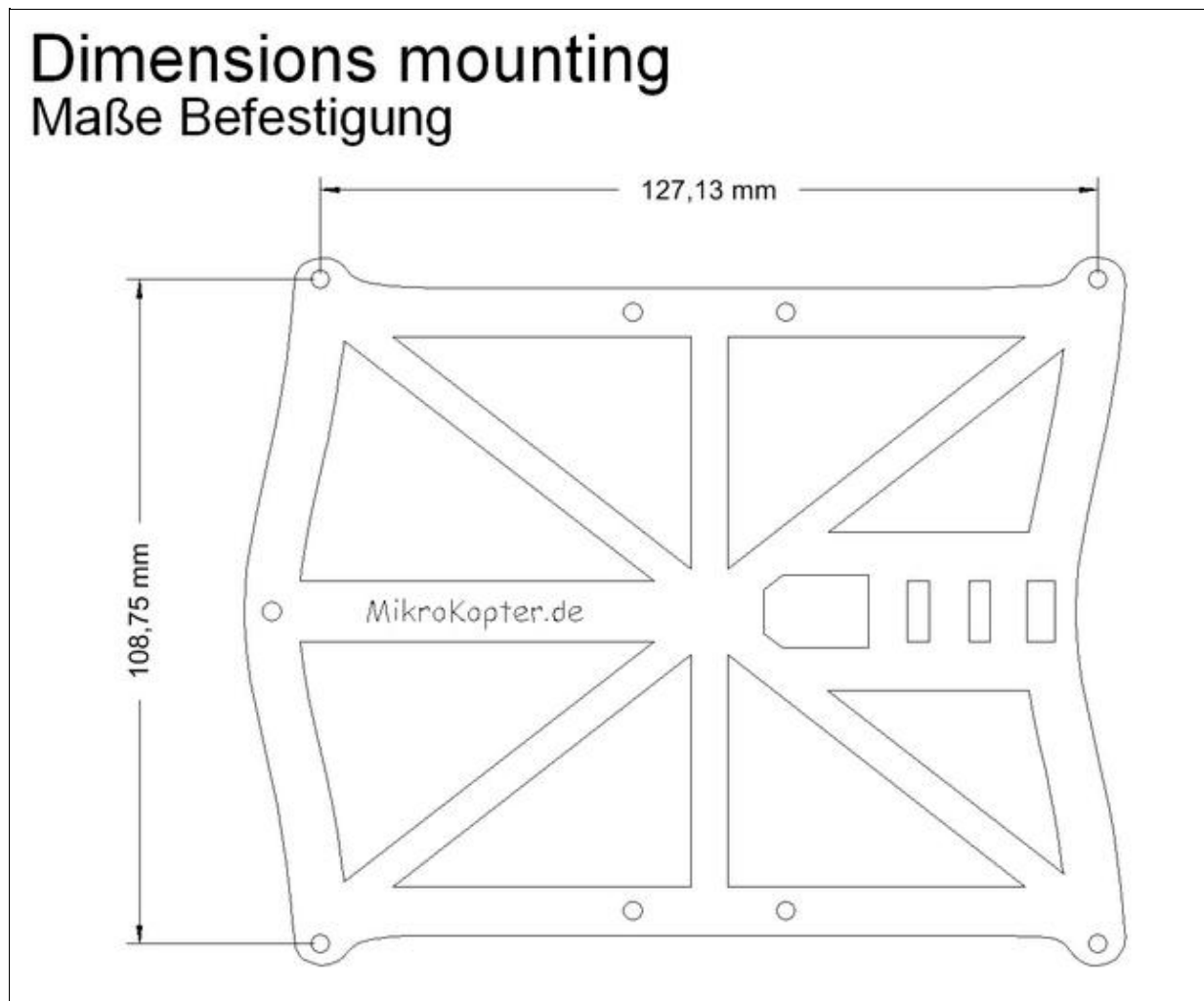


[mounting points](#)

[Fully assem](#)

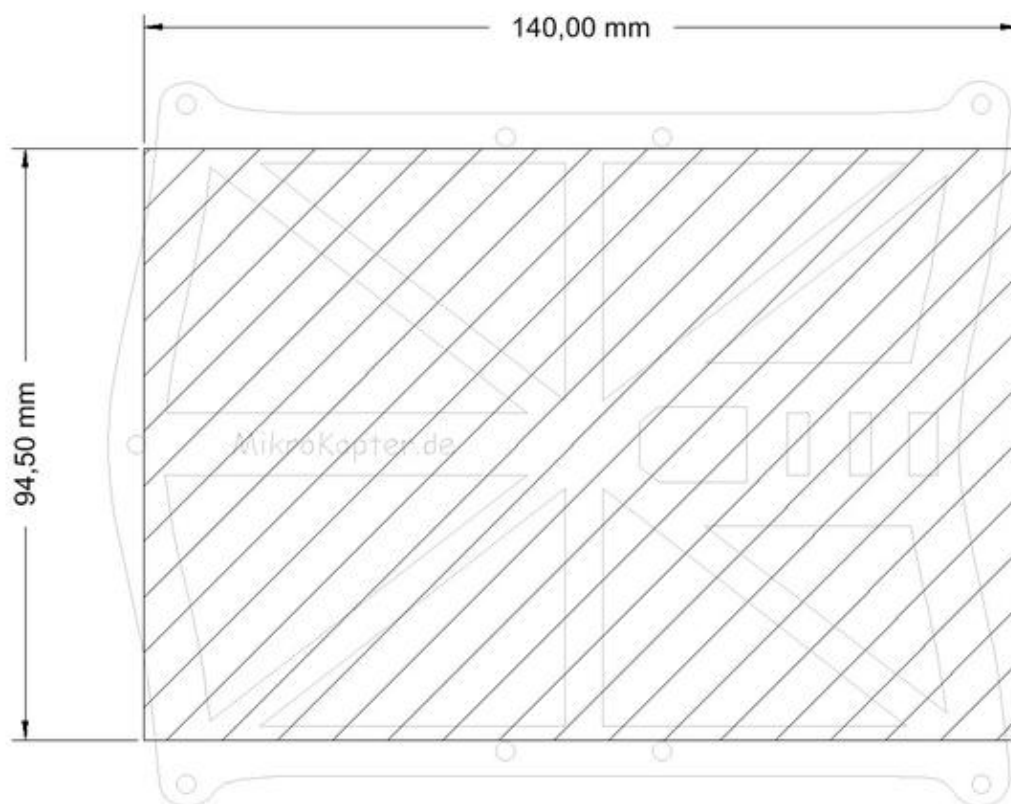
4 Dimensions

Fixing distances:



Inside dimensions:

Inside dimensions Innenmaße



- [KategorieRahmen](#)